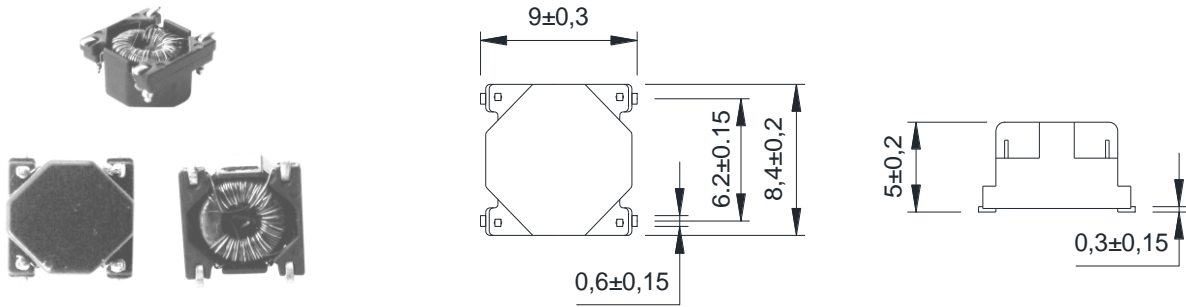


# Common Mode Choke - YT008T Series

## EXTERNAL DIMENSIONS

(Unit: mm)



Part Number	Inductance L(mH)±30%	Test Frequency (KHz)	Withstanding Voltage	DC Resistance (Ω) ±30%	Rated Current (A) Max.	Rated Voltage
YT008T-472NS	4.7	100	AC600V	1.0	0.3	80V

### Test Equipment and Conditions

- Impedance measured using HP-4291B impedance analyzer with HP-16092 test fixture.
- DC Resistance with CH-16502A meter.
- OCL with HP-4284A.
- Withstanding Voltage with CH-19073.
- Operating temperature : -25°C~ +85°C.

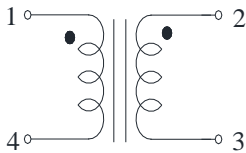
### Features

- YT008T series provide effective noise rejection characteristics without distorting the transmission signal. Therefore this product is most suitable for an application of a xDSL interface circuit.
- The products contain no lead and also support lead-free soldering.

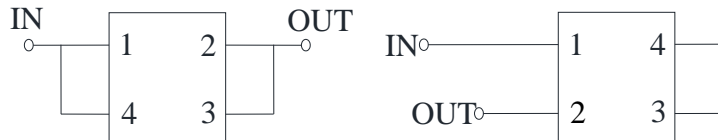
### Applications

- xDSL , modem , Pots-splitters for DSLAM.

### Schematic

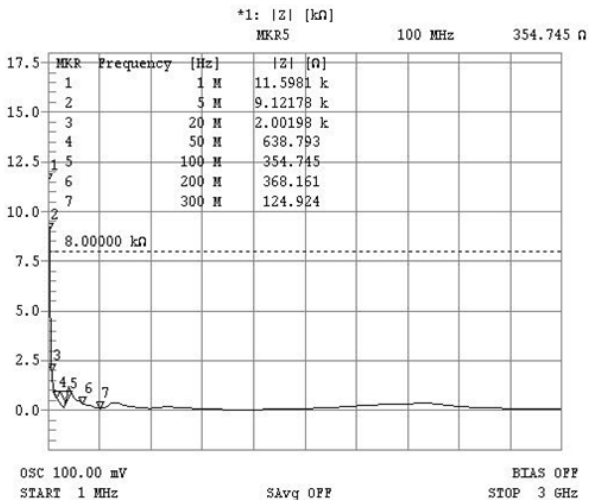


### Test Mode:



### Impedance vs. Frequency

#### COMMON MODE



#### DIFFERENTIAL MODE

