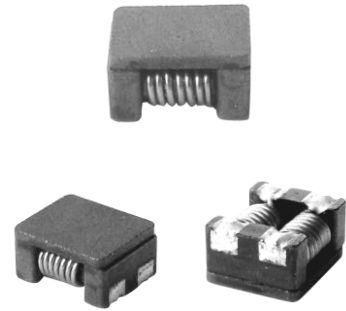
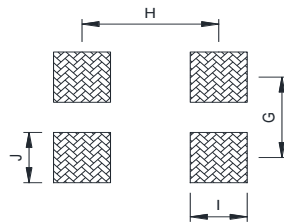
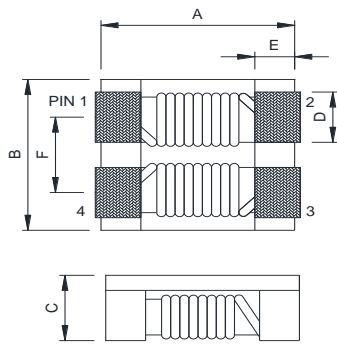


Common Mode Choke - YT764PT Series

EXTERNAL DIMENSIONS

(Unit: mm)



TYPE	A	B	C	D	E	F	G	H	I	J
YT764PT	7.0±0.4	6.0±0.3	3.6±0.3	1.6±0.3	1.7±0.3	3.0±0.3	3.0Typ.	6.5Ref.	2.5Ref.	1.6Ref.

Part Number	Common Mode Impedance @100MHz Min / Typ.	Rated Current (A)Max.	DC Resistance (mΩ)Max.	Rated Voltage
YT764PT-301S	225Ω/300Ω	5.0	10	
YT764PT-701S	500Ω/700Ω	4.0	15	80VDC
YT764PT-102S	800Ω/1000Ω	3.0	17	

Test Equipment and Conditions

- Impedance measured using HP-4291B impedance analyzer with HP-16092 test fixture.
- DC Resistance with CH-502A meter.
- Operating temperature : -40°C~ +125°C.

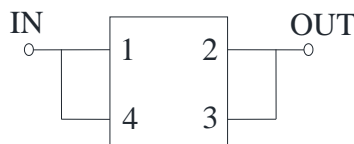
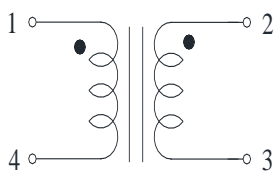
Features

- A compact and light-weight choke coil. Applicable for the miniaturization required to reduce the size and weight of portable equipment.

Applications

- Used for power line noise suppression for any electronic devices. Used to counter adapter/battery line noise for relatively large electronic devices such as notebook PCs, stand-alone word processors, etc.

Schematic



Test Mode:

